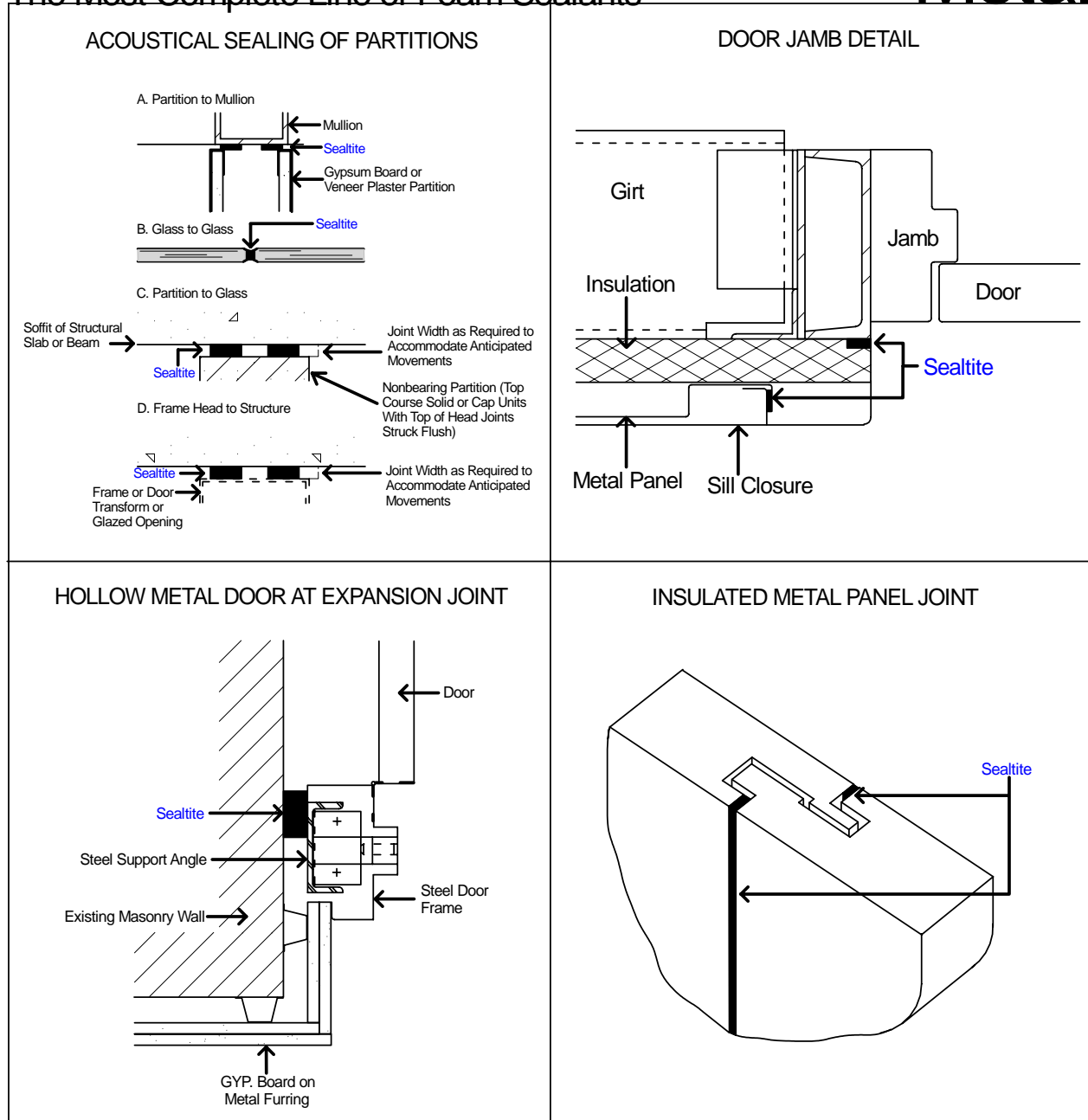


Sealtite™

The Most Complete Line of Foam Sealants

Metal



Details shown are conceptual only. Except for pre-compressed sealants, Sealtite-Willseal shall have no liability or responsibility for materials, methods or assemblies used. Such use shall be solely at the discretion of the user.

Sealtite
 One Industrial Drive
 Pelham, NH 03076
 Fax: 800-998-9105

1-800-848-1120
www.sealtiteusa.com